

Sections, General Notes:

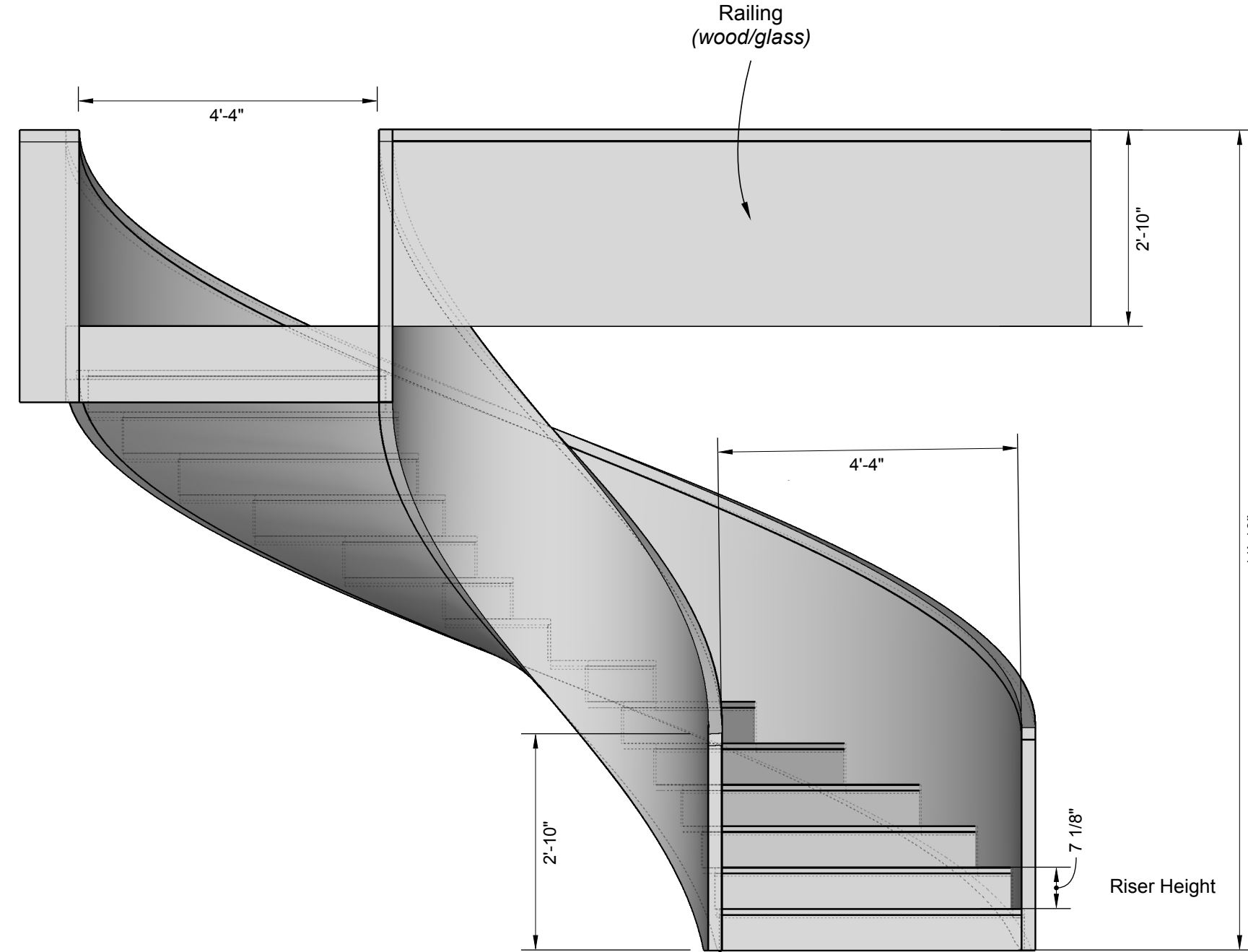
- Unless labelled as "existing", assume features are to be newly constructed. (Refer to foundation and roof plans for the general boundaries of what is existing and what is to be newly constructed.)
- Exterior elevations are with respect to bottom edge of wood siding. This point is approximately 6" above grade.

Spiral Stairways Code Requirements:
(R311.7.5.2.1, R311.7.10.1, & R311.7.10.2)

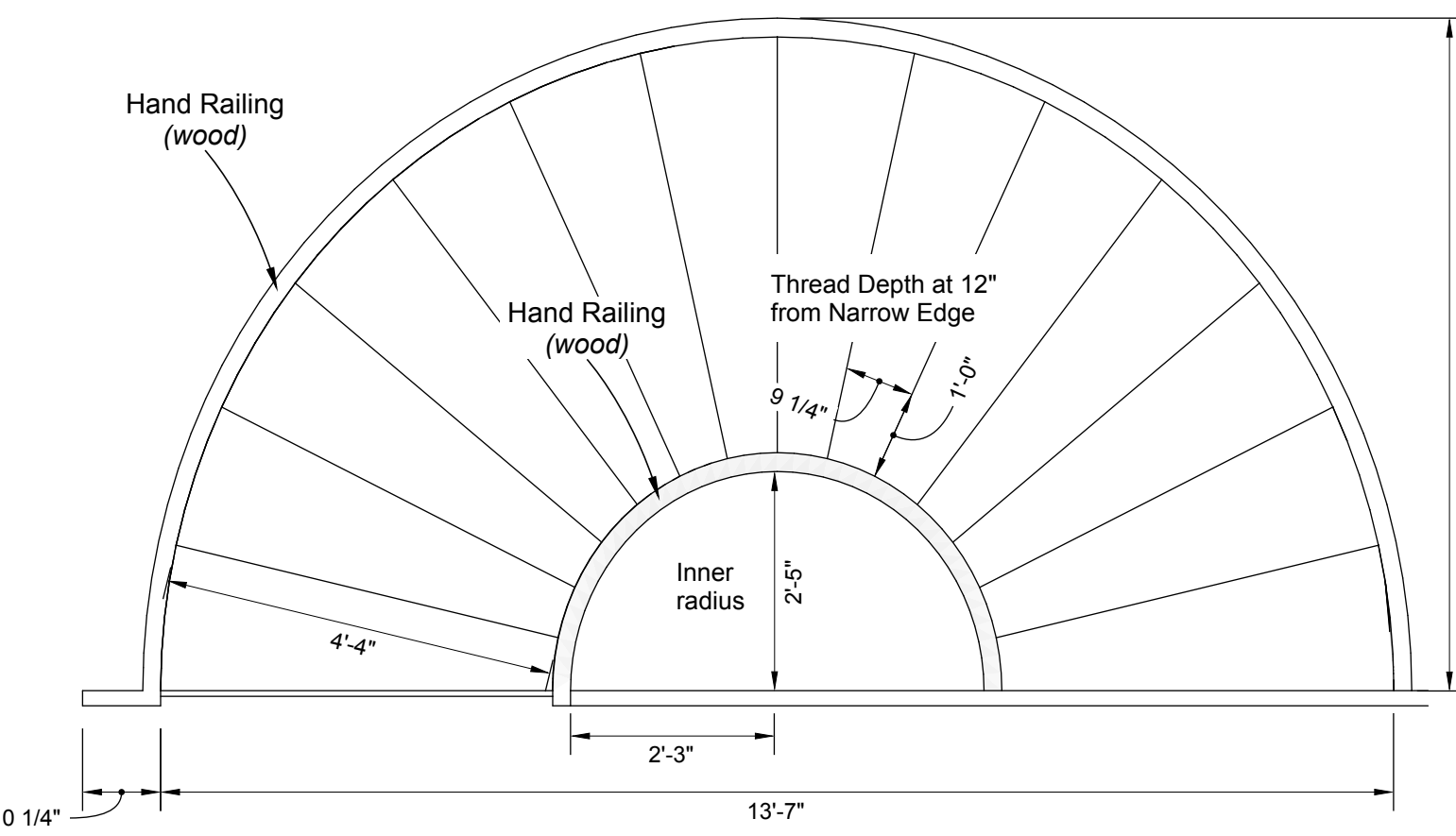
- "Special stairways shall follow all requirements in the code for stairways with the following exceptions. For spiral stairways:
- Minimum 26" clear width at and below the handrail.
 - Minimum 7 1/2" tread depth.
 - Measured at 12" from the narrower edge.
 - All tread depths must be identical.
 - Maximum 9 1/2" riser height.
 - Minimum 6'-6" headroom."

This Stairway's Specs:

- Minimum 4'-4" clear width at and below the handrail.
- Tread depth:
 - 9 1/4" at 12" from narrower edge.
 - All tread depths are identical.
- Riser height: 7 1/8"
- Headroom: 9'-7 1/8"



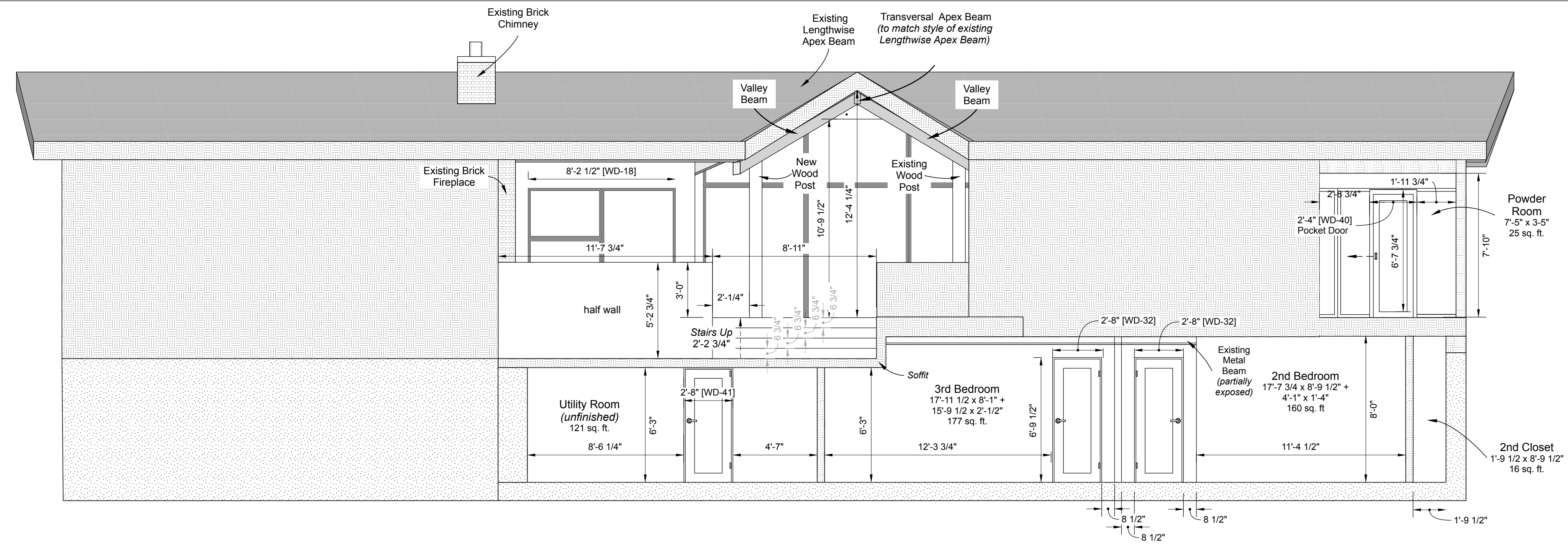
Detail: Spiral Staircase (Side) **A302**
*drawing scale 1/2" = 1'-0" **6**



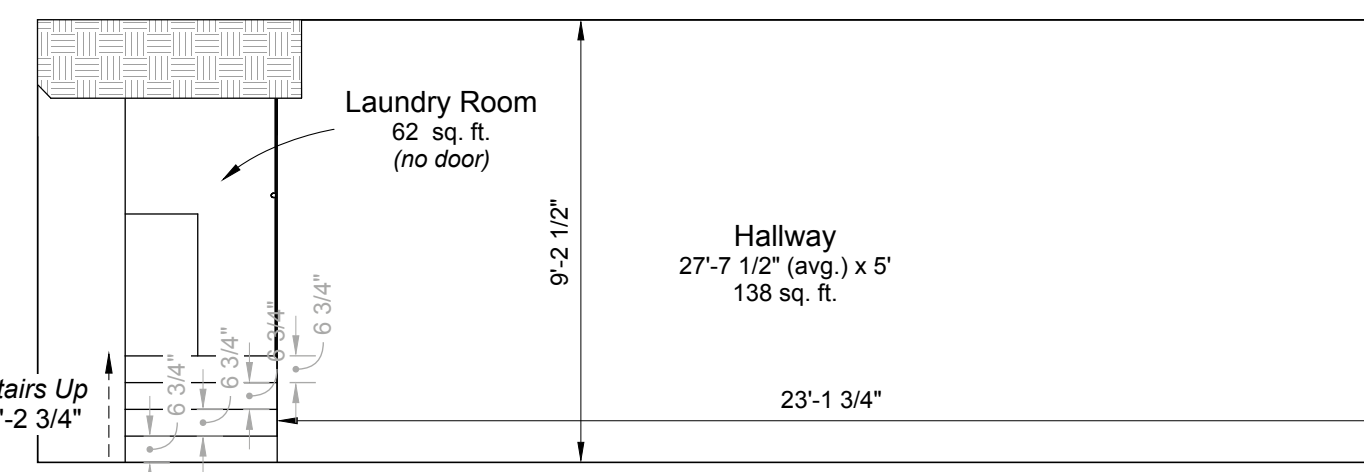
Detail: Spiral Staircase (Top) **A302**
*drawing scale 1/2" = 1'-0" **7**

- Legend**
- wood framing
 - concrete

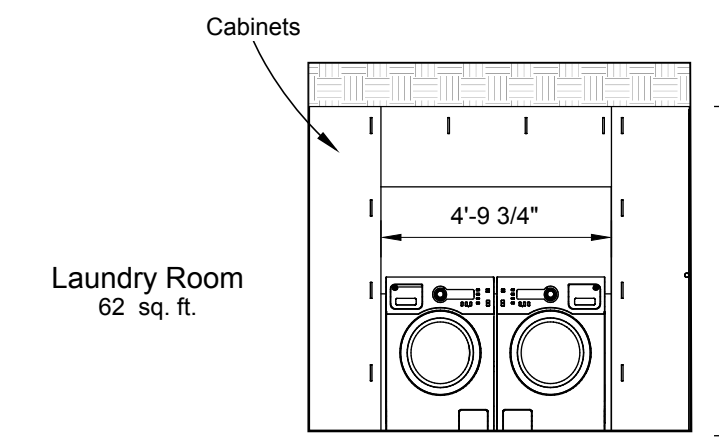
[WD-] Window or Door labels are attached to window/door width. Note that width indicates the rough opening. See schedules on page A601.



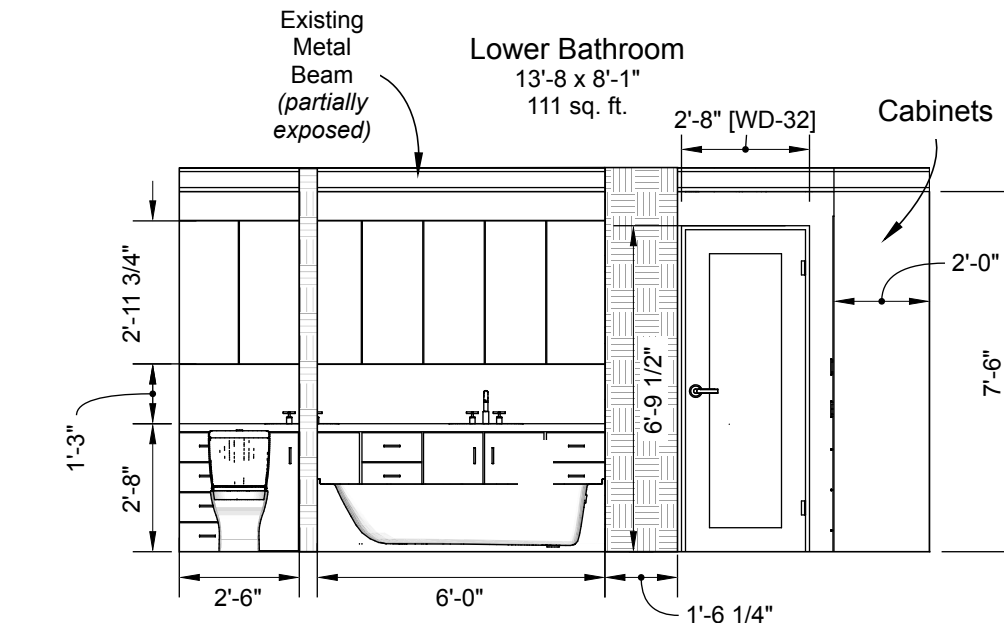
East Facing Section II **A302**
*drawing scale 1/4" = 1'-0" **2**



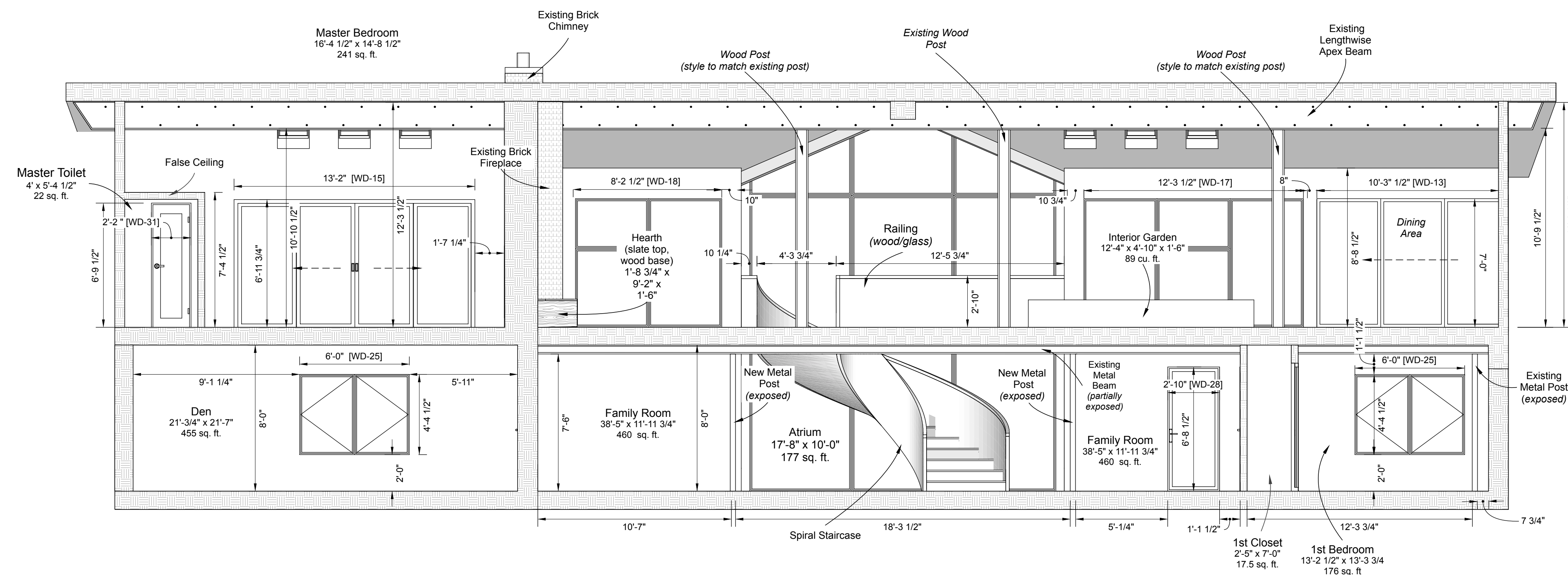
East Facing Section I: Hallway from Entry to Garage **A302**
*drawing scale 1/4" = 1'-0" **1**



East Facing Section III: Laundry Room **A302**
*drawing scale 1/4" = 1'-0" **3**



East Facing Section IV: Lower Bathroom **A302**
*drawing scale 1/4" = 1'-0" **4**



East Facing Section V **A302**
*drawing scale 1/4" = 1'-0" **5**



Design By:
Riedel-Fall Designs
200 Union St. S.E.
Minneapolis, MN 55455
Tel: 612-275-9878

Design for:
Dr. Marc Riedel & Ms. Emery Fall
5995 Ridge Rd.
Shorewood, MN 55331
Tel: 612-275-9878

Date	Revision	By
01/17/17	Final Drawings	MDR, EKF
11/29/17	Attn: Entry	MDR, EKF
5/7/18	Skylights, Foundations	MDR, EKF
7/3/18	Brick Entry	MDR, EKF

DATE SUBMITTED
07.03.18

DRAWN BY
MDR, EKF

A302 East-Facing Sections; Staircase Details

A302